

PARS-HUB-3000

Electrical Properties

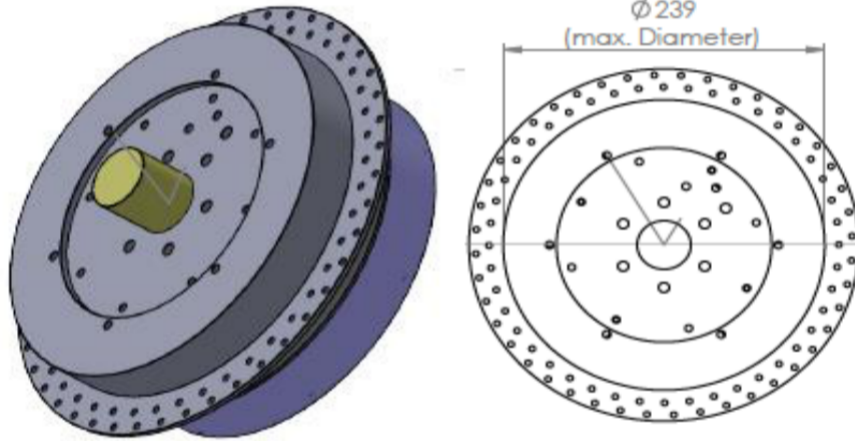
| | |
|----------------------------|------|
| Rated Output Power (W): | 3000 |
| Rated Speed (Rpm): | 950 |
| Nominal Voltage (V): | 72 |
| Efficiency(%): | 91.1 |
| Maximum Output Power (W): | 7824 |
| Average Input Current (A): | 45.6 |

Mechanical Properties

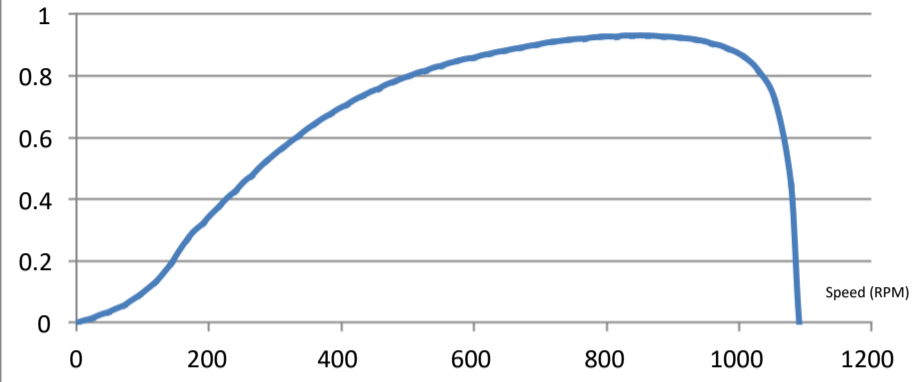
| | |
|------------------|---------|
| Weight (Kg) : | 24 |
| Rotor Position : | Outside |
| Insulation : | Class H |

Material Properties

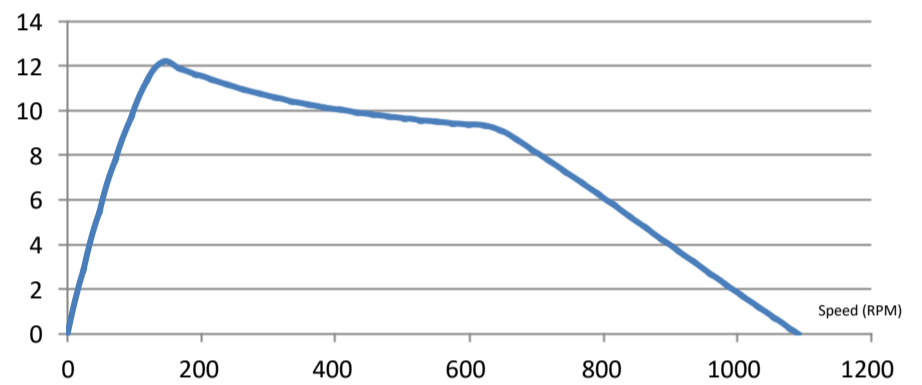
| | |
|------------------------|----------------------------------|
| Shaft Materials : | High Standard Stainless Steel |
| Shaft Roller Type | |
| Outer Frame Material | High Standard Aluminum Alloy |
| Connectors (Nut/Bolt): | High Standard Stainless Steel |



Efficiency



Output Power [kW]



Torque [kN.m]

